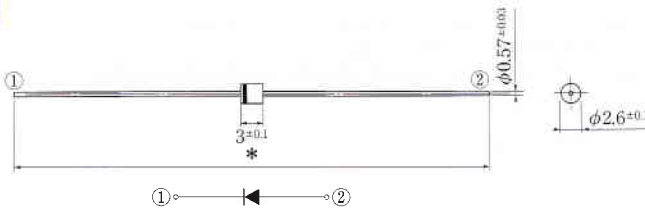


Outline Dimensions

[Unit : mm]

Fig.1 Package: AX057



* Please see the code No.; page 47

Fig.2 Package: AX06

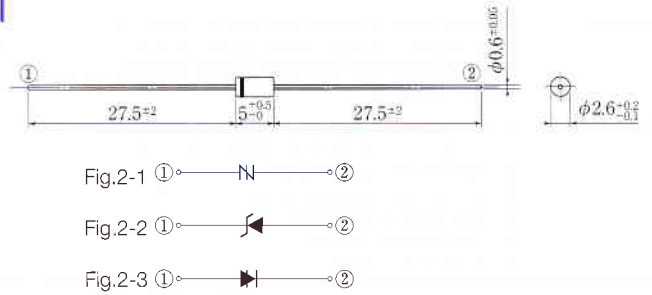


Fig.3 Package: AX06

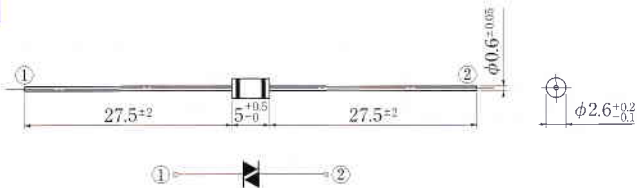


Fig.4 Package: AX06

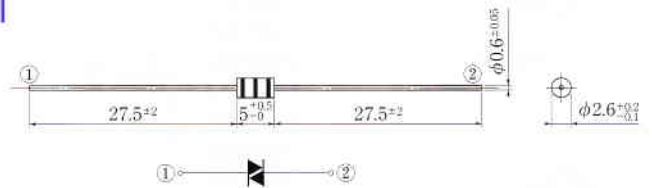


Fig.5 Package: AX078

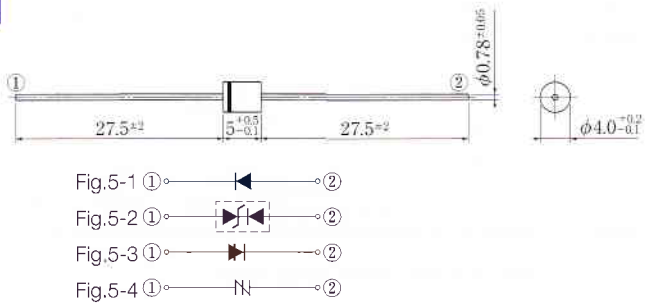


Fig.6 Package: AX10

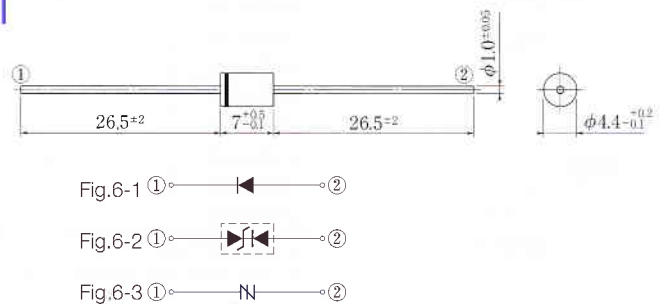


Fig.7 Package: AX10

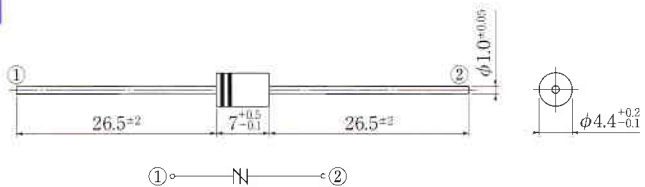


Fig.8 Package: AX14

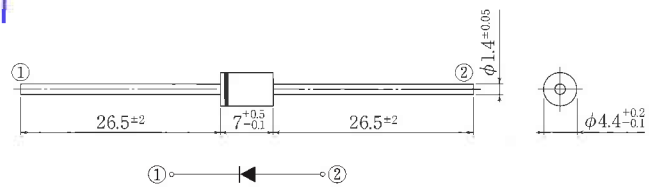


Fig.11 Package: G1F

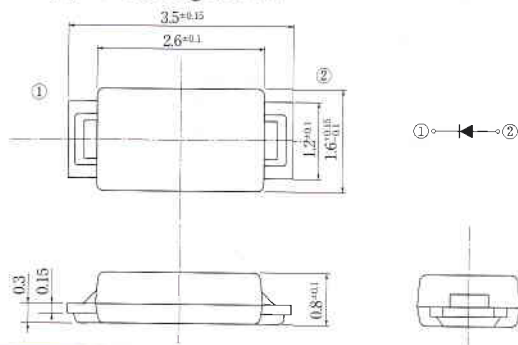


Fig.12 Package: M1F

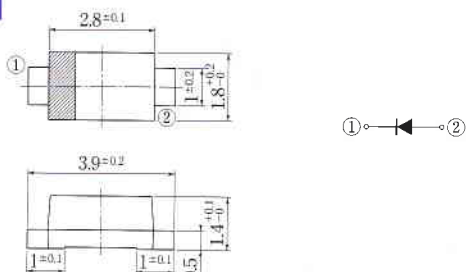


Fig.13 Package: 1F

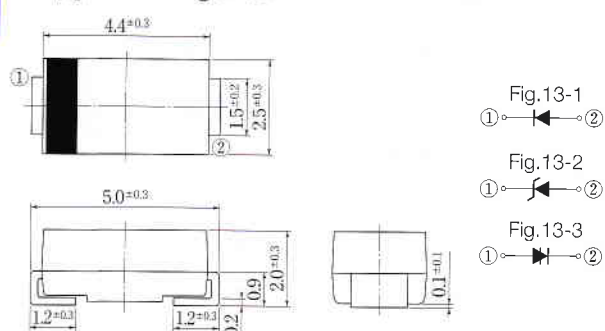


Fig.14 Package: 1F

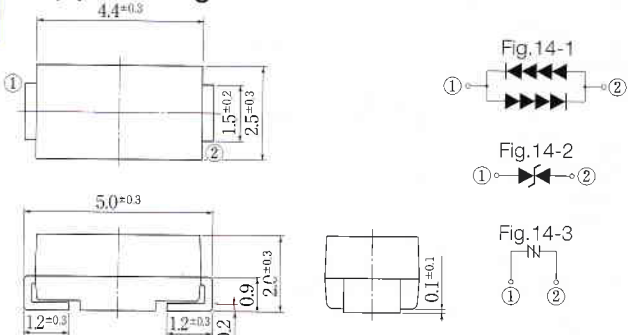


Fig.15 Package: M2F

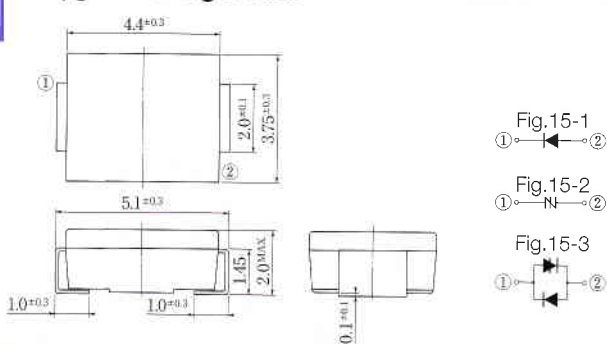


Fig.16 Package: 2F

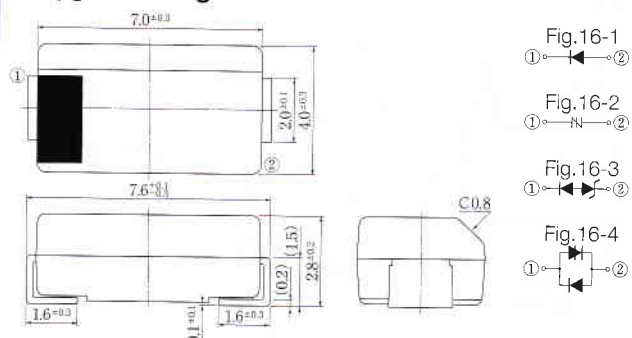


Fig.21 Package: 1Y

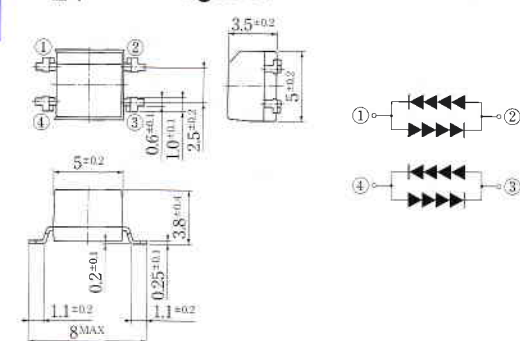


Fig.22 Package: 1Y

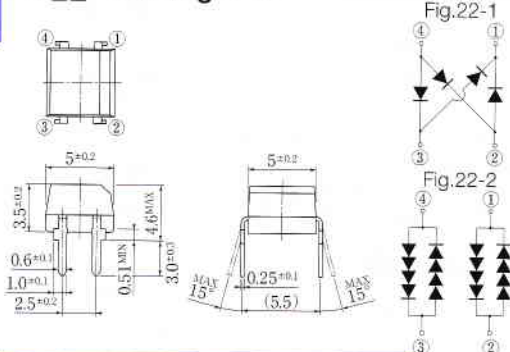


Fig.23 Package: 1Z

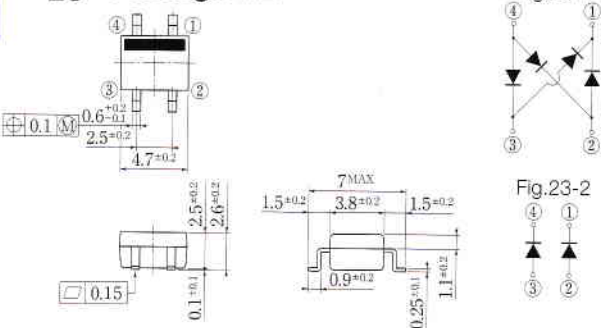
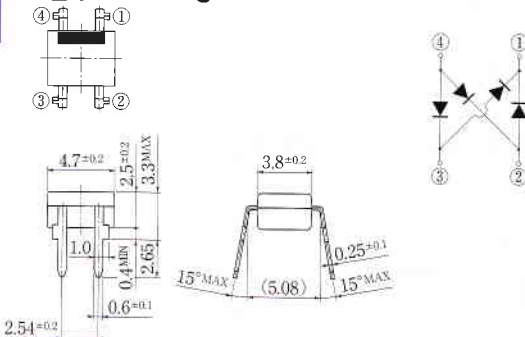


Fig.24 Package: 1Z



Outline Dimensions

[Unit : mm]

Fig.25 Package: 1N

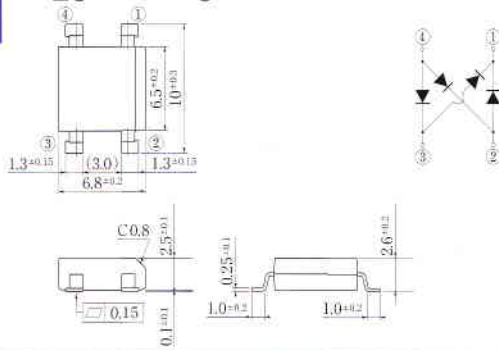


Fig.26 Package: 1N

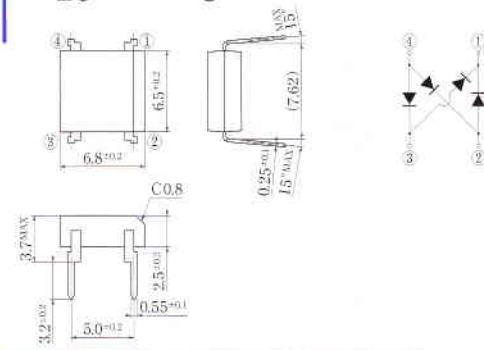


Fig.27 Package: 1NA

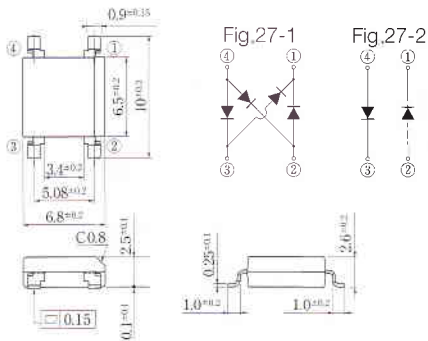


Fig.28 Package: 1NA

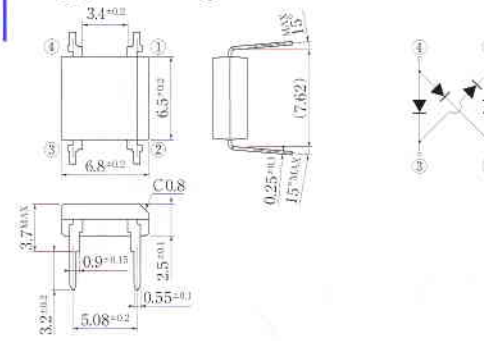


Fig.29 Package: 1W

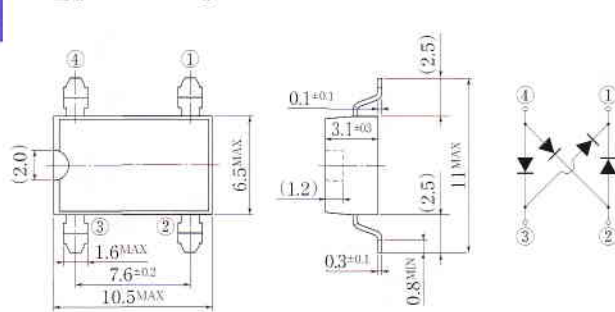


Fig.30 Package: 1W

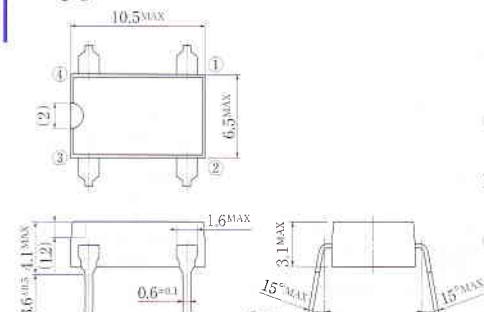


Fig.31 Package: E-pack

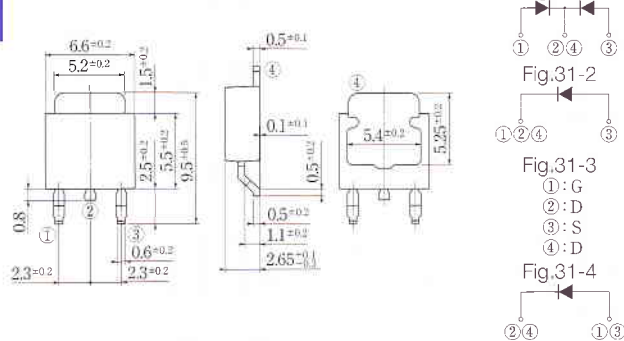


Fig.32 Package: E-pack

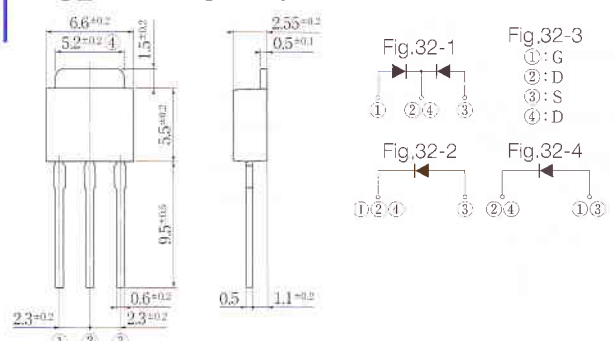
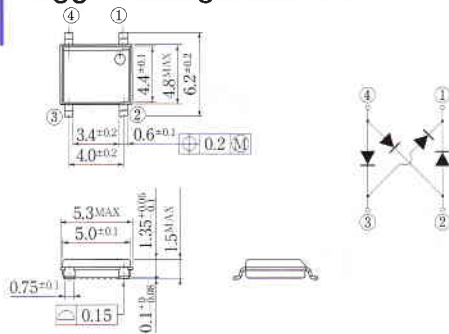


Fig.33 Package: SOPA-4



[Unit : mm]

Fig.35 Package: ZP

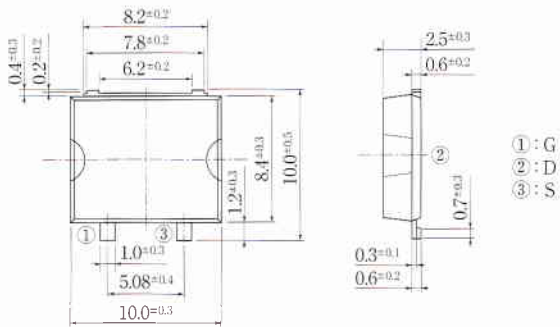


Fig.36 Package: STO-220

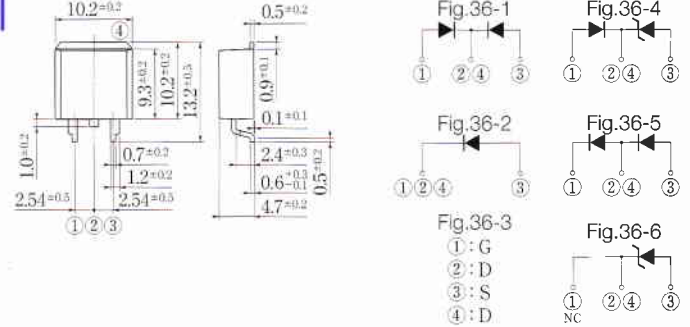


Fig.37 Package: STO-220

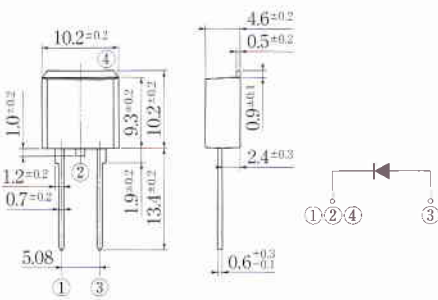


Fig.38 Package: STO-220

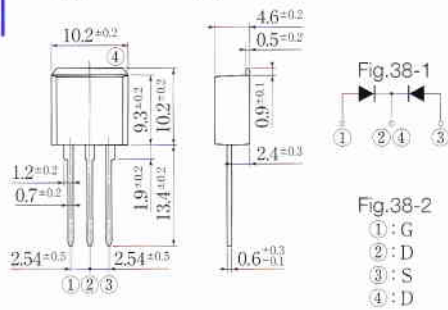


Fig.39 Package: TO-221

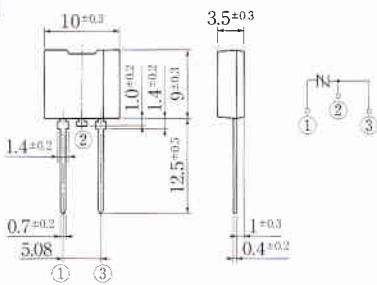


Fig.40 Package: TO-221

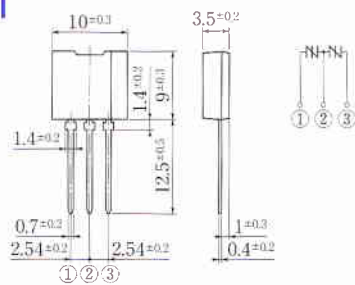


Fig.41 Package: ITO-220

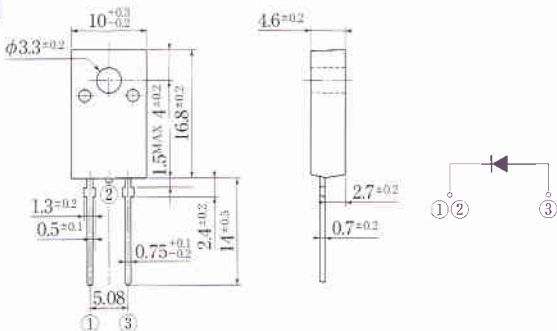
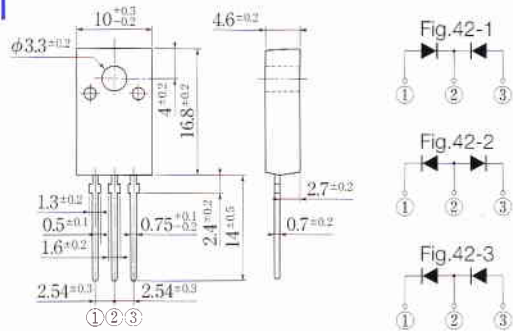


Fig.42 Package: ITO-220



Outline Dimensions

[Unit : mm]

Fig.43 Package: ITO-3P

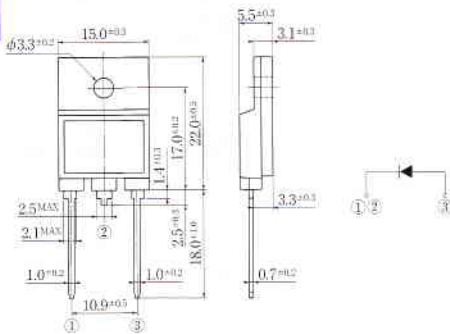


Fig.44 Package: ITO-3P

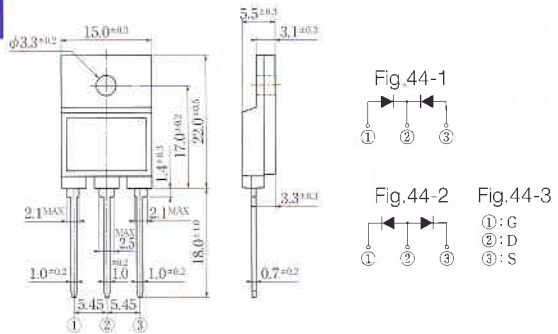


Fig.45 Package: MTO-3P

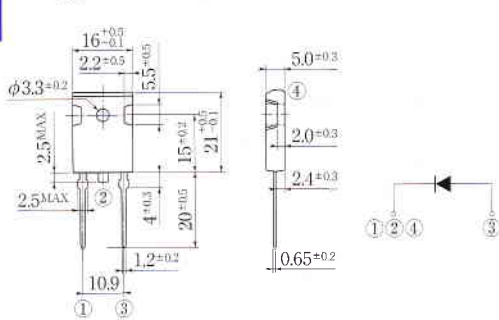


Fig.46 Package: MTO-3P

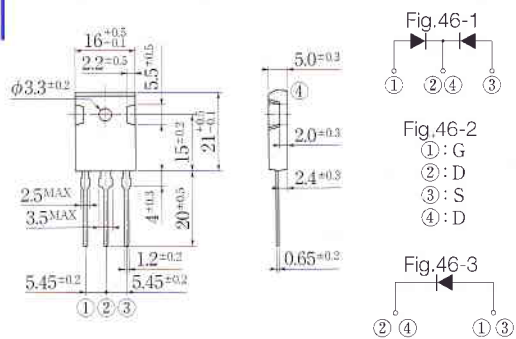


Fig.47 Package: FTO-220

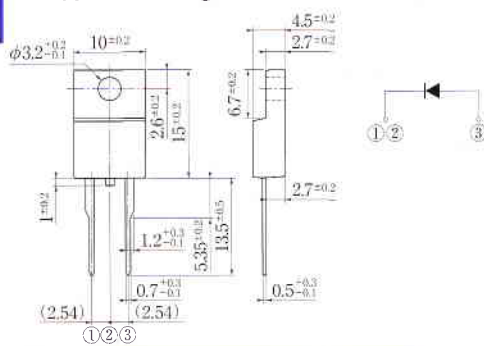


Fig.48 Package: FTO-220

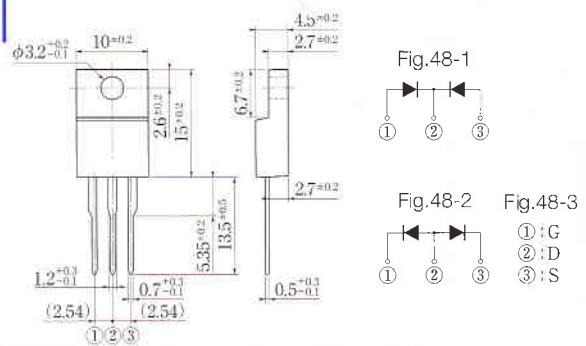


Fig.49 Package: FTO-220A

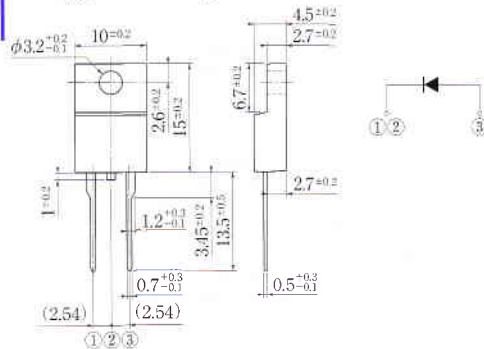


Fig.50 Package: FTO-220A

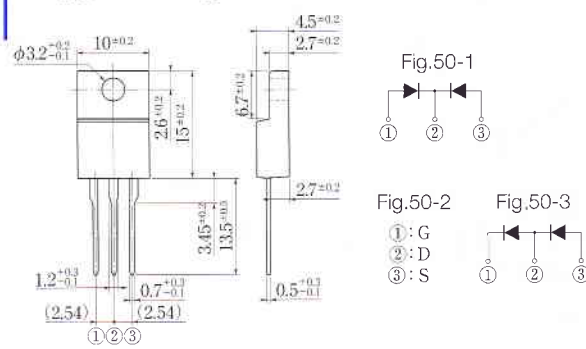


Fig.53 Package: D6K

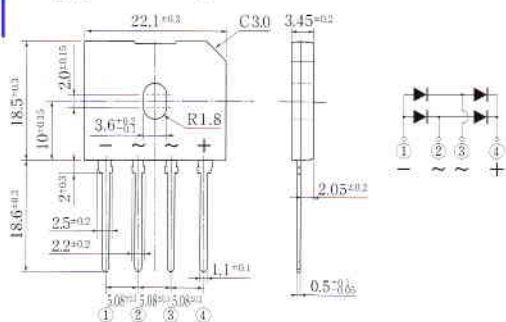


Fig.55 Package: 1V

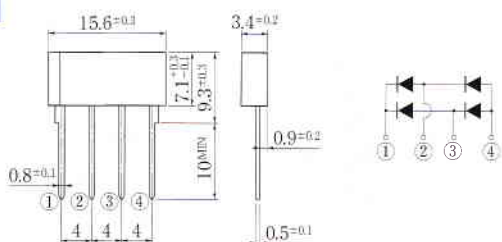


Fig.56 Package: 2S

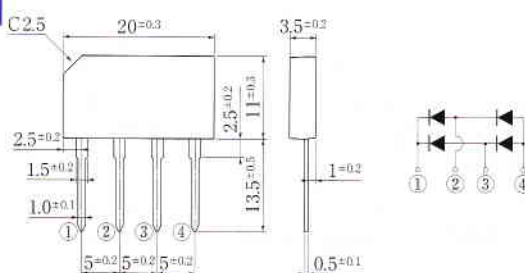


Fig.57 Package: 3S

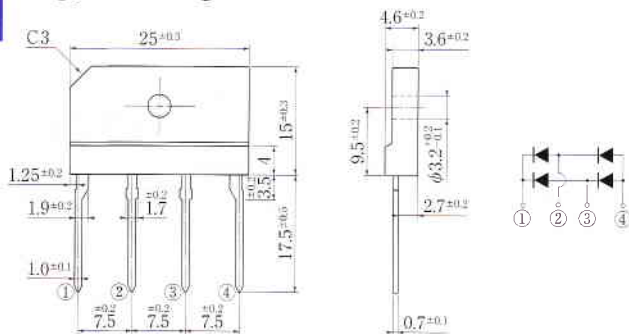


Fig.58 Package: 5S

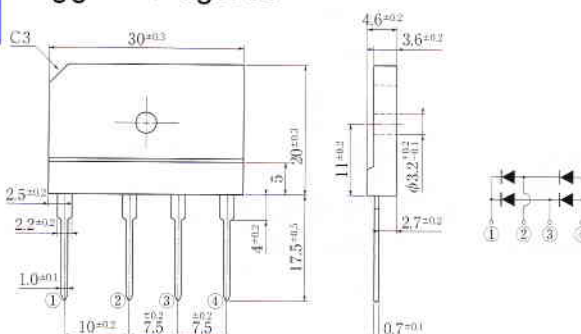


Fig.59 Package: TSB(4PIN)

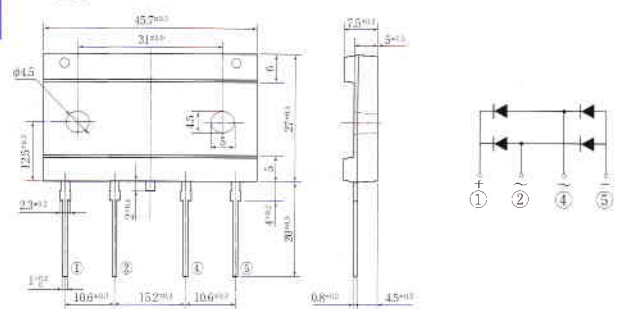


Fig.60 Package: TSB(5PIN)

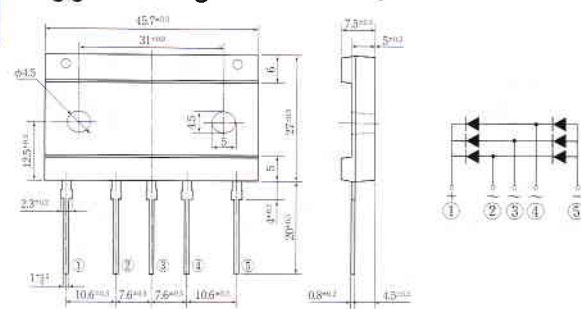


Fig.61 Package: S2VB

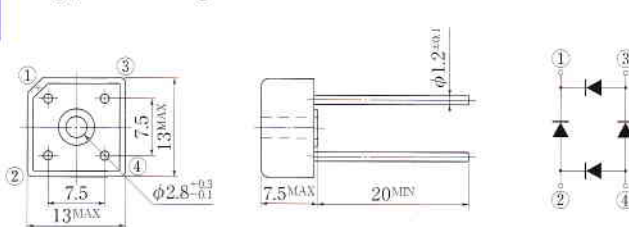
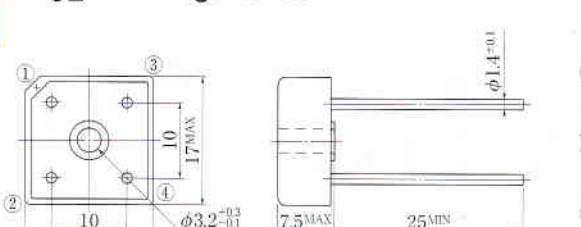


Fig.62 Package: S4VB



Outline Dimensions

[Unit : mm]

Fig.63 Package: S5VB

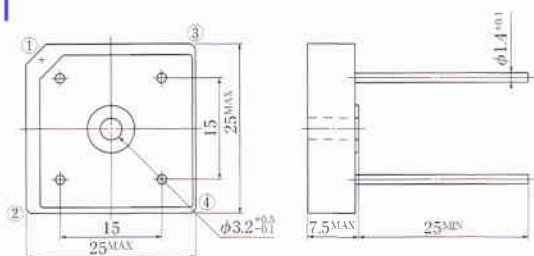


Fig.64 Package: S10VB

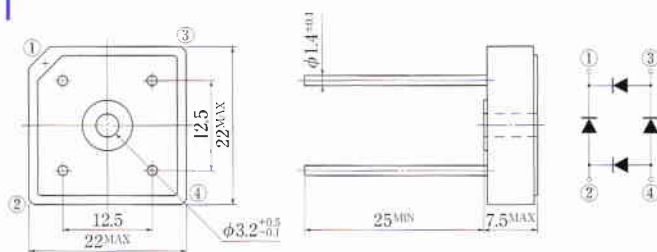


Fig.65 Package: S15VB

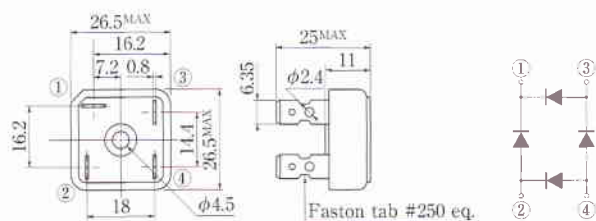


Fig.66 Package: S25VB

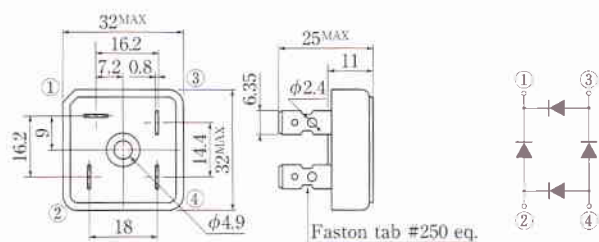


Fig.67 Package: S50VB

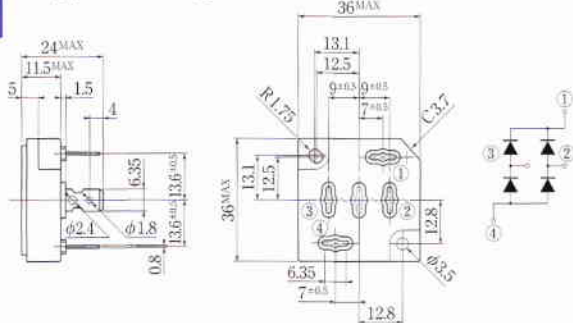


Fig.68 Package: S3WB

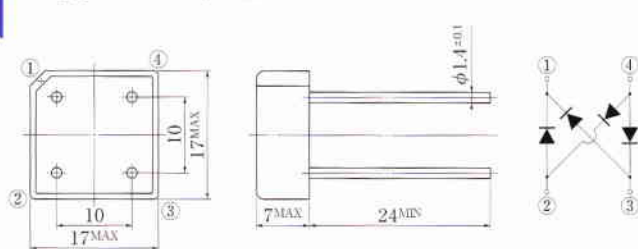


Fig.69 Package: S10WB

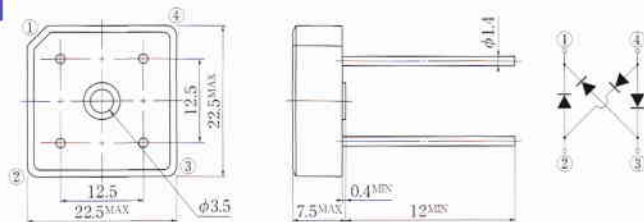


Fig.70 Package: S15WB

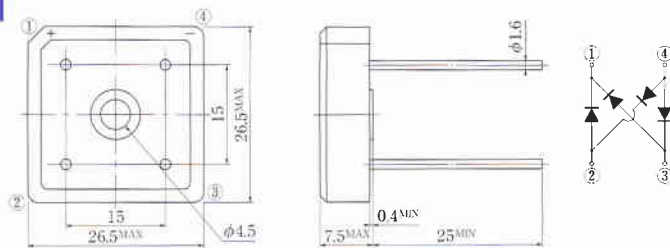
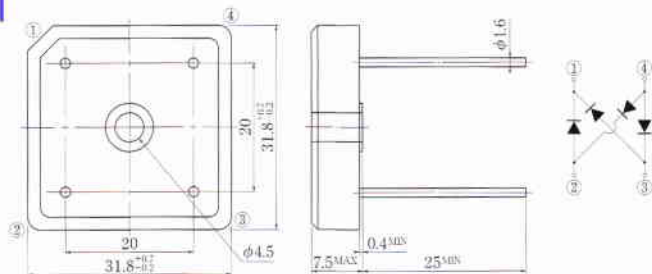


Fig.71 Package: S20WB



[Unit : mm]

Fig.73 Package: SVTA

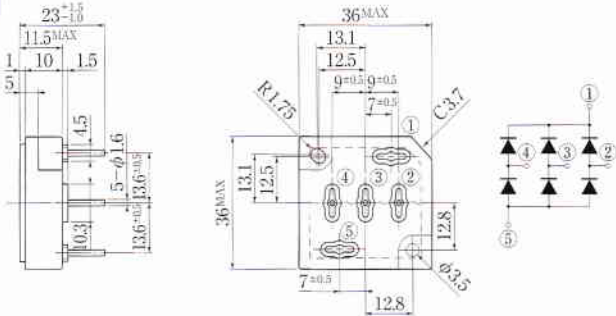


Fig.74 Package: SVT

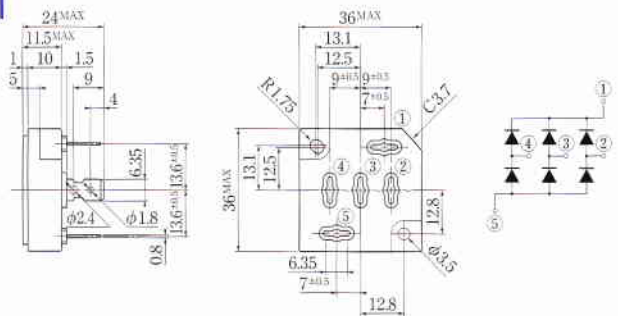


Fig.76 Package: D30VC

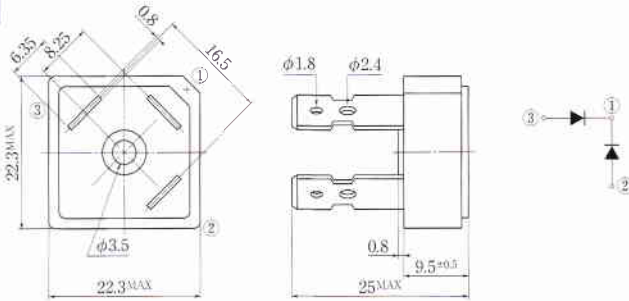


Fig.77 Package: Module

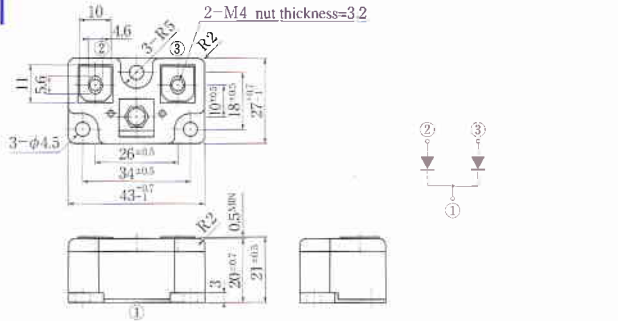


Fig.78 Package: Module

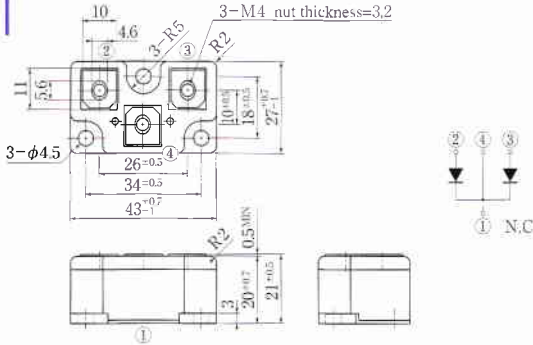
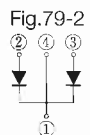
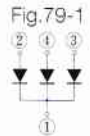
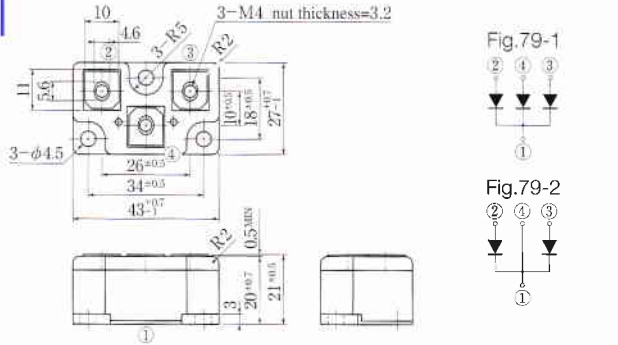


Fig.79 Package: Module



Outline Dimensions

[Unit : mm]

Fig.81 Package: HSOP28

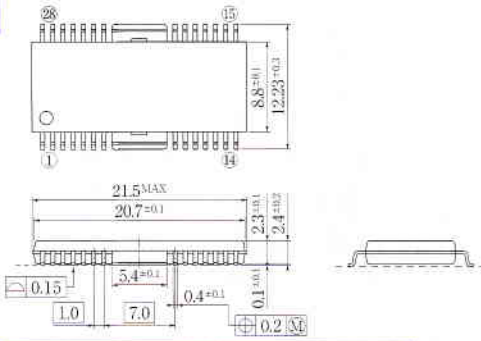


Fig.82 Package: HSOP40

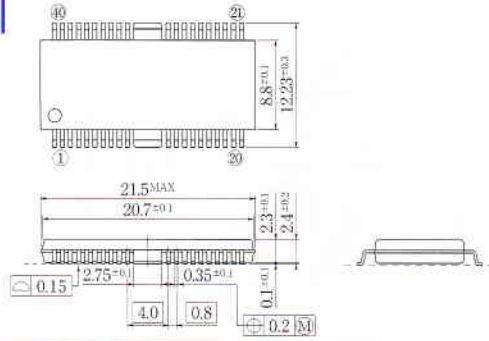


Fig.83 Package: SSOP32

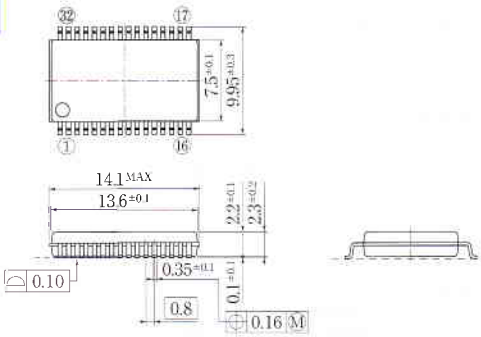


Fig.84 Package: LSSOP26

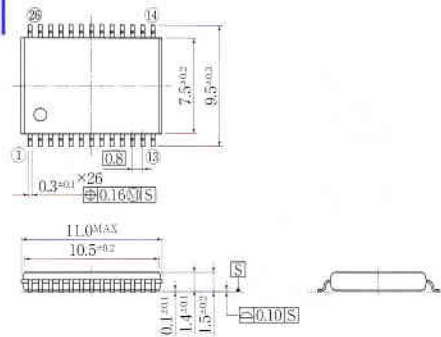


Fig.85 Package: FTO-5P

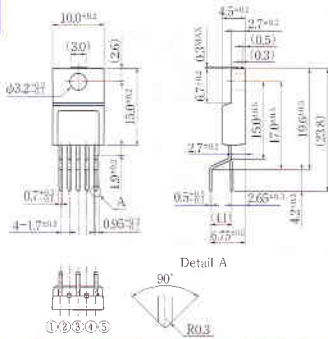


Fig.86 Package: FTO-7P

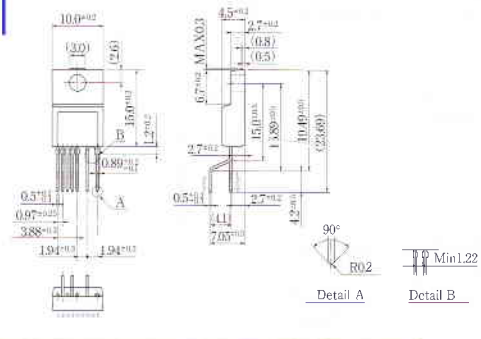


Fig.87 Package: MIH7

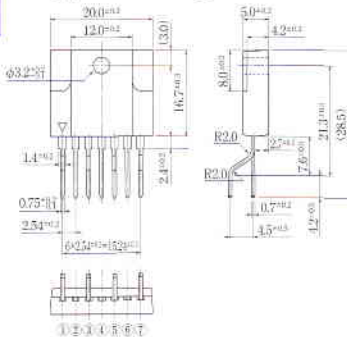


Fig.88 Package: MZIP-7

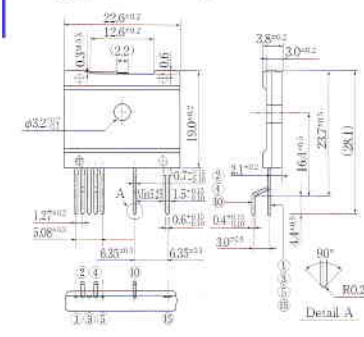


Fig.89 Package: ZIP27

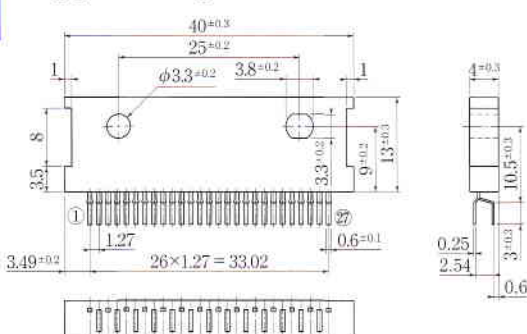


Fig.90 Package: SOP8

